

# PWP1-S

## Small Wall Pack



### DESCRIPTION

The PWP1 Small Wall Pack is a full cutoff LED luminaire perfect for retail centers, industrial parks, schools, office buildings, and medical facilities. Depending on mounting height, uniformity requirements, and desired illumination levels, the luminaire is ideal for new construction or as a replacement for existing metal halide lighting systems up to 175 watts, delivering both effective lighting and significant cost savings. Available with numerous options for surge protection, photocell control, and microwave motion sensing, the PWP1 Small Pantheon Wall Pack is a versatile product that can meet your application needs.



Date: \_\_\_\_\_ Type: \_\_\_\_\_ Catalog Number: \_\_\_\_\_

Project Name: \_\_\_\_\_

### ORDERING INFORMATION

#### LUMINAIRE

MODEL	OUTPUT	CCT	VOLTAGE	OPTIC	FINISH	OPTIONS
PWP1-S Small Wall Pack	<b>17W</b> 17 Watts	<b>30K</b> 3000K	<b>UNV</b> 120-277V	<b>T4</b> Type IV	<b>DB</b> Dark Bronze	<b>SF</b> Single Fuse, 120-277V models only <sup>1</sup>
	<b>25W</b> 25 Watts	<b>40K</b> 4000K	<b>347V</b> 347-480V		<b>CC</b> Custom RAL Color	<b>DF</b> Double Fuse, 120-277V models only <sup>1</sup>
	<b>37W</b> 37 Watts	<b>50K</b> 5000K				<b>SP</b> Surge Protection - 10KV
	<b>81W</b> 81 Watts					<b>PCR3</b> 3-Pin Twist Lock Photocell Receptacle

- PCR5**  
5-Pin Twist Lock Photocell Receptacle
- PCR7**  
7-Pin Twist Lock Photocell Receptacle
- PC**  
Photocell, 120-277VAC
- MSD**  
Microwave Motion Sensor with Dimming<sup>1</sup>  
For Mounting Heights ≤25'
- MS**  
On/Off Microwave Motion Sensor<sup>1</sup>  
For Mounting Heights 8' to 19'
- EM**  
Emergency Battery Backup<sup>1</sup>
- EMC**  
Cold Start Emergency Battery Backup<sup>1</sup>  
-20°C, 90 Minutes

<sup>1</sup>120-277V models only

Custom solutions are available; consult factory via phone at (864) 487-3535 ext. 258 or via email at DesignServices@EXP-Brands.com.

See Page 4 for ordering information of available accessories.

**DLC Qualified Items:**

- PWP1-S-25W-40K-UNV, PWP1-S-25W-50K-UNV
- PWP1-S-37W-40K-UNV, PWP1-S-37W-50K-UNV
- PWP1-S-81W-40K-UNV, PWP1-S-81W-50K-UNV



# PWP1-S

## Small Wall Pack



		PWP1-S
PHYSICAL	HOUSING	Die-Cast Aluminum with Full Cutoff Frame
	LENS	Clear Polycarbonate Lens
	HARDWARE	Nickel-Plated Stainless Steel Hardware
	OPERATING TEMPERATURE	-40°F to 104°F
	FINISH	Powder Coat Finish
	MOUNTING HEIGHT	12 to 25 Feet

ELECTRICAL	POWER	17 Watts	25 Watts	37 Watts	81 Watts
	CURRENT	0.14 Amps @ 120 Volts 0.06 Amps @ 277 Volts	0.21 Amps @ 120 Volts 0.09 Amps @ 277 Volts	0.31 Amps @ 120 Volts 0.13 Amps @ 277 Volts	0.68 Amps @ 120 Volts 0.29 Amps @ 277 Volts
	VOLTAGE	Universal 120 to 277 Volts or High Voltage 347-480 Volts			
	DRIVER	Electronic Internal Driver, Less Than 20% THD Dimming Source Current: 150 Microamps			
	SURGE SUPPRESSION	2kV		6kV	
	CONTROL	0-10v Dimming for a Dimming Range of 100% to 10%			
	FREQUENCY	50/60Hz			
	POWER FACTOR	> 0.90			

PHOTOMETRIC	LED	Static White 3000K, 4000K, and 5000K
	CRI	80
	OPTICS	Type IV Distribution
	DELIVERED LUMEN OUTPUT	up to 9278 Lumens
	EFFICACY	up to 122 Lumens per Watt
	LUMEN MAINTENANCE	L70 > 100,000 Hours at 77°F*

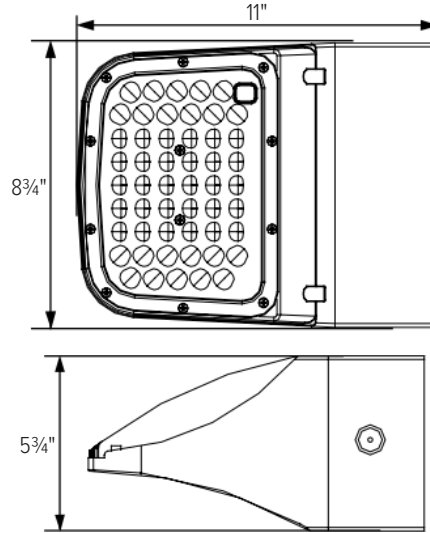
LIGHT DISTRIBUTIONS	CCT	DATA	17 WATTS	25 WATTS	37 WATTS	81 WATTS
	3000K	LUMENS		2151	3167	4259
EFFICACY			111	113	101	102
BUG RATING			B1-U0-G1	B1-U1-G1	B1-U1-G1	B2-U1-G2
4000K	LUMENS		2140	3151	4459	9166
	EFFICACY		112	113	106	109
	BUG RATING		B1-U0-G1	B1-U1-G1	B1-U1-G1	B2-U1-G2
5000K	LUMENS		2326	3424	4604	9278
	EFFICACY		120	122	110	110
	BUG RATING		B1-U0-G1	B1-U1-G1	B1-U1-G1	B2-U1-G2

Values reflect delivered lumens at full output.

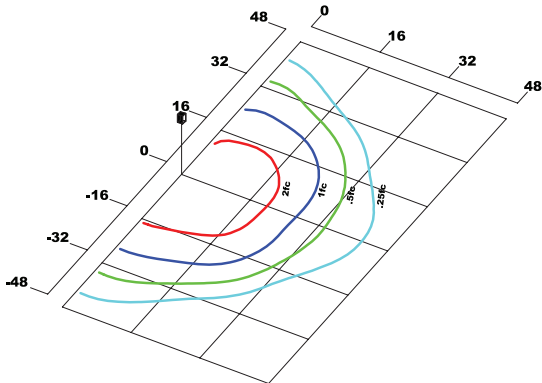
CERTIFICATIONS	SAFETY	ETL Listed for Wet Locations
	INGRESS PROTECTION	IP65
	WARRANTY	Five-Year Limited Warranty

## DIMENSIONS

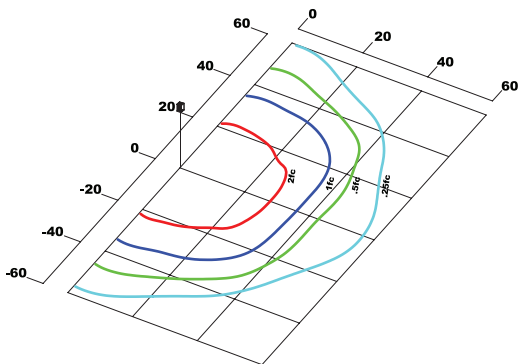
All dimensions are shown in inches.



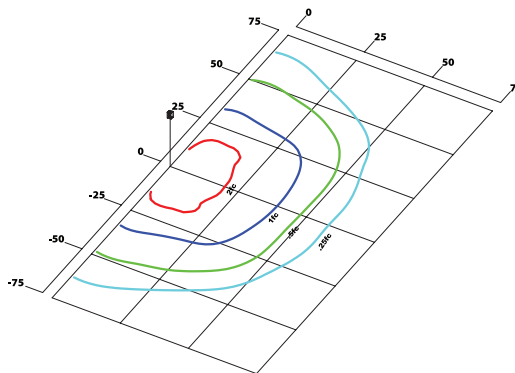
## PHOTOMETRICS



PWP1-S/37W-50K-UNV-T4  
Type IV  
Grid in MH  
MH=16 Feet



PWP1-S/81W-50K-UNV-T4  
Type IV  
Grid in MH  
MH=20 Feet



PWP1-S/81W-50K-UNV-T4  
Type IV  
Grid in MH  
MH=25 Feet

## ACCESSORIES

### ORDERING INFORMATION

#### ACCESSORIES

##### MODEL

##### TLNSC

Twist Lock Non-Shorting (Open) Cap Disconnects Service to Fixture for Temporary or Permanent Disabling (Fixture Always Off). IP65, 480V Maximum.

##### TLSC

Twist Lock Shorting Cap Provides Fixed Service to Fixture (Fixture Always on). IP65, Rated Load 7200w Tungsten.

##### PCTD120

120VAC Time Delay Twist Lock Photocell

##### PCTD277

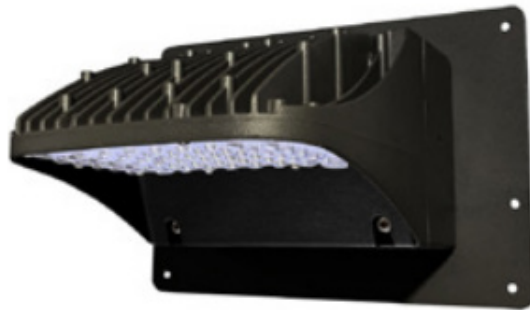
277VAC Time Delay Twist Lock Photocell

##### PCUNVTL

120-277VAC Universal Twist Lock Photocell

##### PWP1TP

Aluminum Two-Piece Trim Plate, Bronze Powdercoat Finish, 13"W x 9"H



**PWP1TP**  
Shown Mounted.